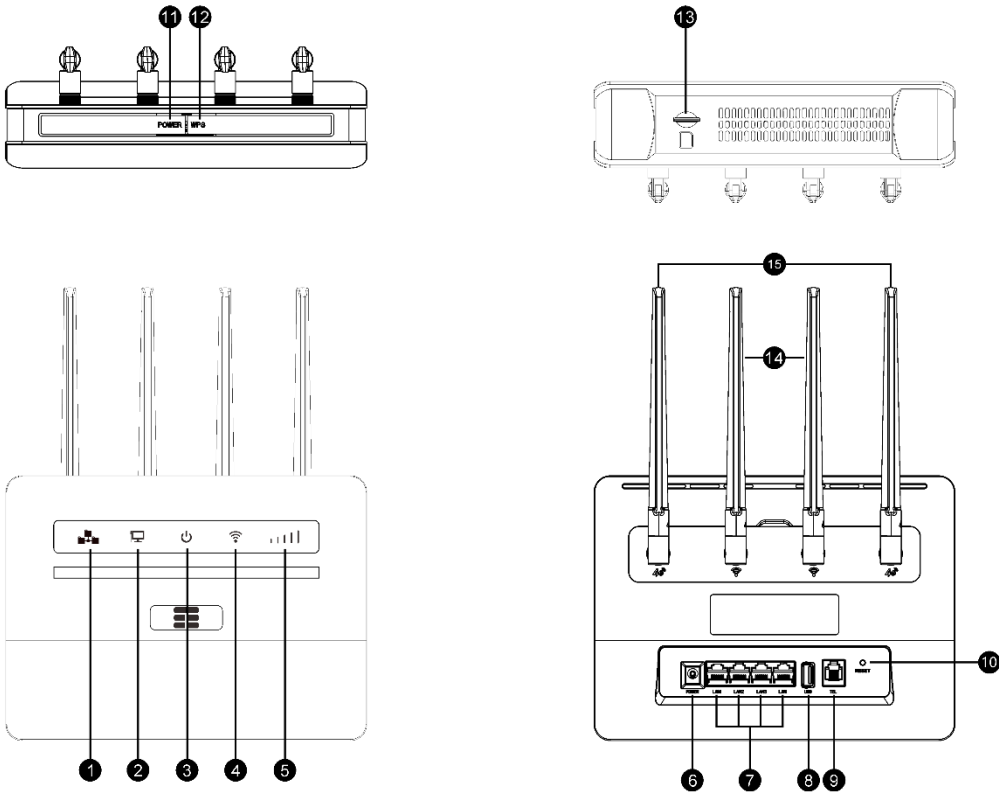


SLT868Q 4G LTE Quick Start Guide

1 Appearance

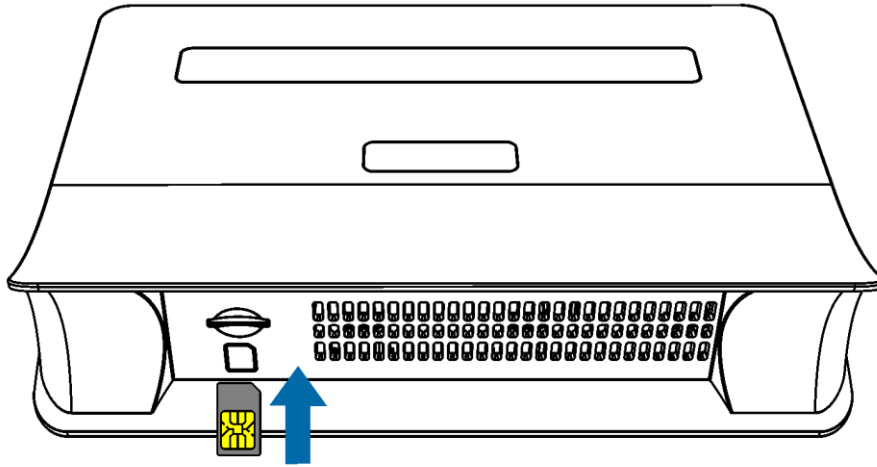


NOTE: The pictures in the document are used to guide users to install/use, and may differ from the actual product. The specific details shall be based on the actual product

No.	Item	Description
1		<ul style="list-style-type: none"> Blue: registered to 4G mobile network Red: no-SIM card or not registered on the network Blinking: Internet connection is setup and data transfer in progress
2		<ul style="list-style-type: none"> Green: LAN ports are connected Blinking: data transfer
3		Blue: the device is powered ON
4		<ul style="list-style-type: none"> Blue: Wi-Fi on and data transfer in progress Blinking: WPS connection set up in progress
5		More signal bars: stronger signal
6	Power Input	DC adapter
7	LAN Ports	10/100/1000Mbps automatic adapt
8	USB Port	For debugging only
9	Telephone Port	RJ11 port for connecting to regular analog telephone
10	Reset Button	Press for 3 seconds or above to restore to factory settings
11	Power Button	Power on/off switch
12	WPS Button	To enable WPS function
13	Standard SIM Card Slot	2FF Standard SIM slot
14	Wi-Fi External Antennas	2*Wi-Fi external antennas to improve the Wi-Fi performance
15	4G External Antennas	2* Wireless external antennas to improve the WAN performance

2 Installation

1. Insert a standard SIM card first.



CAUTION

Do not insert or remove SIM card when the router is running, as this may affect performance or damage the SIM card.

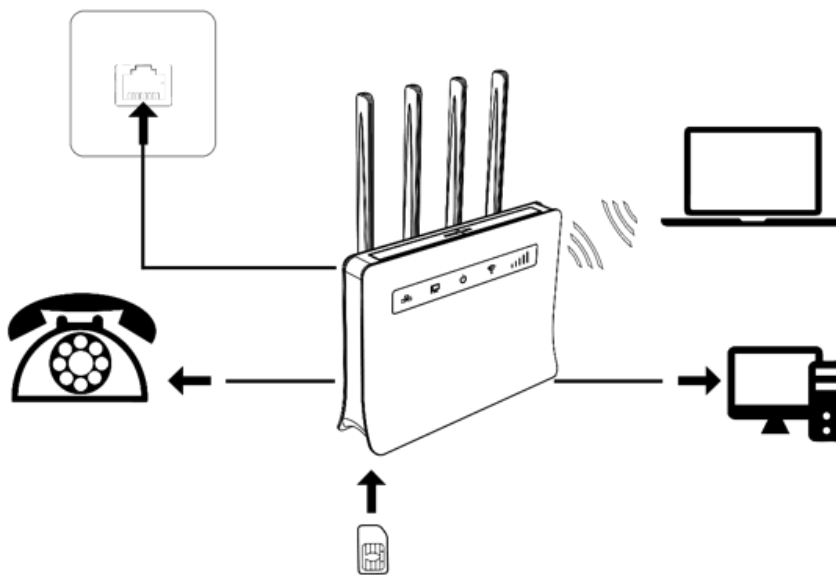
2. Connect cables and power on the device.

Method 1: Wireless connection

You can connect your computer or mobile phone to the CPE Wi-Fi network.

Method 2: Cable connection

You can access the internet through the LAN port.



CAUTION

- When the power adapter is inserted, the CPE will automatically power on.
- It's strongly suggested to change the default SSID and password by accessing to the WebUI Wi-Fi management page to prevent unauthorized access to your Wi-Fi network.
- You need to reconnect to the CPE Wi-Fi network after changing the Wi-Fi password.

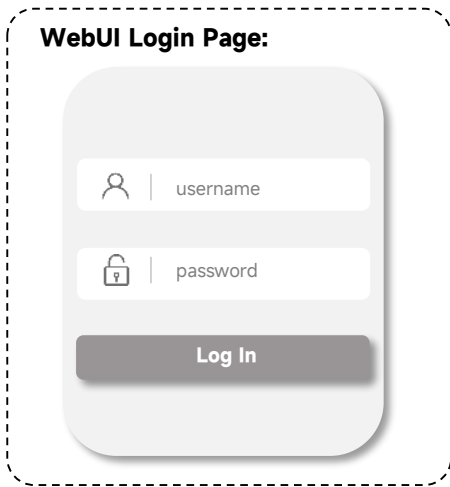
3 Configuration

You can access the WebUI and configure the device.

You can refer to the CPE label on the backside of the CPE for the default IP address and password.

⚠ CAUTION

1. It is strongly recommended that you change the default login password of the WebUI to prevent unauthorized users from changing the settings.
2. You shall tick the privacy statement after successfully logging in to WebUI.



2.4G SSID: 4G-CPE-2.4G-xxxx

5.8G SSID: 4G-CPE-5G-xxxx

Wi-Fi Password: 12345678

IP address: [192.168.1.1](#)

Username: **admin**

Password: **admin**

4 Safety Information

Before using and operating this device, read the following precautions carefully to ensure optimal device performance and avoid dangers or violation of laws and regulations.

Wireless Devices

Do not use this device in areas where the use of wireless devices is prohibited as it may interfere with other devices or present other hazards.

Impact on Medical Equipment

Radio waves generated by the device may interfere with the operation of implanted medical appliances or personal medical appliances, such as the pacemakers, cochlear implants, and hearing aids. If such appliances are used, consult the appliance manufacturer about the restrictions for using the device.

Areas with Inflammables and Explosives

- Do not use the device where inflammables or explosives are stored, for example, in a gas station, oil depot, or chemical plant. Otherwise, explosions or fires may occur. In addition, follow the instructions indicated in text or symbols.
- Do not store or transport the device in containers with flammable liquids, gases, or explosives.

Children Safety

Keep the device, its accessories, and plastic bags out of the reach of children. Otherwise, they may damage the device and its accessories by mistake, or they may swallow the small components of the device or put their heads into the plastic bags, causing suffocation or other dangerous situations.

Accessory Requirements

NOTE: The accessories of the device include the power adapter, cables, and mounting kits.

Use only the accessories supplied by the device manufacturer. Otherwise, the device may be faulty, fail, or even cause fires. Violating the warranty for the device or the laws and regulations related to telecommunications terminals may cause injuries.

Operating Environment

- Use the CPE at an ambient temperature of 0°C to 45°C. An overly high or low ambient temperature may cause device faults.
- Use the CPE at an ambient humidity of 5%RH to 95%RH (non-condensing). An overly high or low ambient humidity may cause device faults.
- The power supply voltage must meet the requirements for the input voltage of the device.
- Keep the device away from electronic appliances that generate strong magnetic or electric fields, such as a transformer, microwave oven, or refrigerator.
- When using the device indoors, avoid dusty, damp, or dirty environments. Using the device in these environments may result in circuit malfunctions.
- Keep the device stable to avoid personal injury or device damage.
- Keep the device away from heat sources, flammable materials, or exposed fire sources.
- Do not install the device in areas exposed to acidic, alkaline, or other corrosive gases.
- Keep the device and accessories in a well-ventilated area. Do not enclose or cover your device with towels or other objects. Do not place the device in a container with poor heat dissipation, such as a box or bag. Poor heat dissipation may damage the device.
- During thunderstorms, power off your device and remove all cables connected to it to protect against device faults or lightning strikes.
- Do not place any object (such as a candle or a water container) on the device to avoid risks caused by liquid leakage. If any foreign object or liquid enters the device, stop using the device immediately, power it off, remove all the connected cables, and then contact your operator.
- In the use of the device, do not touch the cable connectors.

- The device temperature increases after the device runs for a while. If the device is overheated, avoid contacting it for an extended period. Otherwise, low temperature burn symptoms, such as red spots and darker pigmentation, may occur.
- Do not scratch or damage the device shell. Flaking or peeling of the paint may lead to skin allergy or malfunction of the device. If paint flakes and peels drop into the host, a short circuit may occur.

Cleaning and Maintenance

- During storage, transportation, and operation of the device, keep it dry and prevent it from colliding with other objects.
- If the device is not going to be used for an extended period of time, power it off and remove all cables connected to it.
- Keep the power plug clean and dry to prevent electric shocks or other dangers.
- If any exception occurs, for example, if the device emits any smoke or unusual sound or smell, stop using the device immediately, power it off, remove all the cables connected to it, and then contact your operator.
- Do not trample, pull, or overbend any cable. Otherwise, the cable may get damaged, causing malfunction of the device.
- Do not use damaged or aged cables. Using such cables may lead to electric shocks or fire.
- Before cleaning or maintaining the device, stop using it, power it off, and then remove all cables connected to it.
- Do not place magnetic stripe cards, such as credit cards and phone cards, or floppy disks, near the device for extended periods of time. Otherwise, the magnetic stripe cards may be damaged or the stored data in the floppy disks may be lost.
- Use a clean, soft, and dry cloth to clean the device shell. Do not use any chemical detergent, powder, or other chemical agents to clean the device.
- Without authorization, no organization or individual can change the mechanical, safety, or performance design of the device.
- When using the CPE, observe all applicable laws and regulations and respect the legal rights of other people.

Environmental Protection

- Do not dispose of the device and its accessories in a garbage can.
- Dispose of the device according to the local regulations on disposing of packing materials and abandoned devices. Support proper collection and recycling.

RoHS for Environment Protection

This device complies with the RoHS Directive 2011/65/EU and other RoHS directives in other countries.

RF Exposure Information

This device meets the EU requirements and the International Commission on Non-Ionizing Radiation Protection (ICNIRP) on the limitation of exposure of the general public to electromagnetic fields by way of health protection. This device should be installed and operated with a minimum of 20cm spacing to any person at all times.

EU Regulatory Conformance Statement

Hereby, MeiG Smart Technology Co., Ltd. declares that the radio equipment type is in compliance with Directive 2014/53/EU.

Frequency Band and Output Power

The functions of Wireless Access Systems including Radio Local Area Networks (WAS/RLANs) within the band 5150-5850MHz for this device are restricted to indoor use only within all European Union countries (BE/BG/CZ/DK/DE/EE/IE/EL/ES/FR/HR/IT/CY/LV/LT/LU/HU/MT/NL/AT/PL/PT/RO/SI/SK/FI/SE/UK(NI)/TR/NO/CH/IS/LI).

LTE:

B1/B3/B7/B20/B41: 23dBm±2.7dB

Wi-Fi:

2.4GHz: 11b: 18±3dBm 11g/n: 14±3dBm

5GHz: 11a/n/ac: 14dBm±3dB